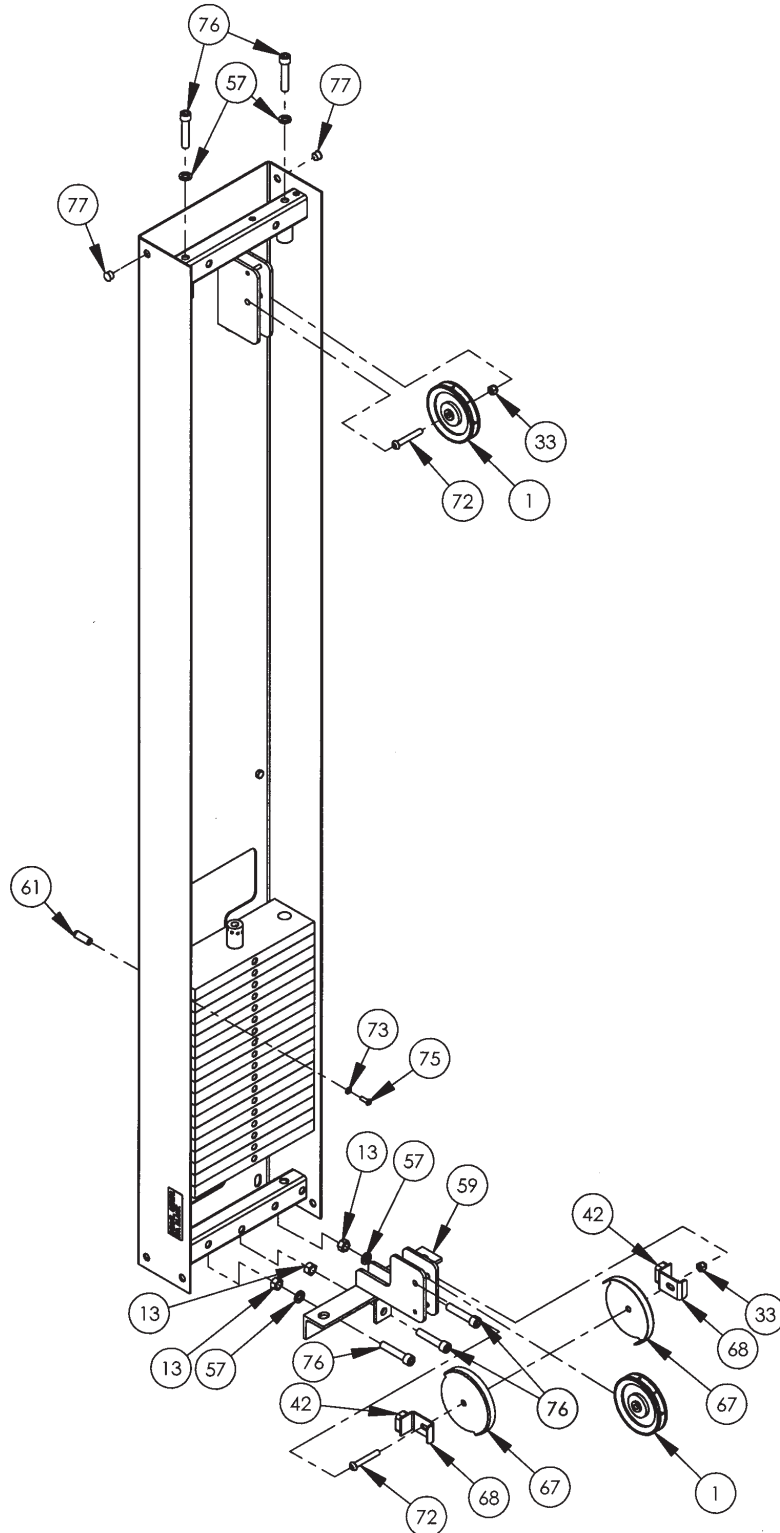


MODULAR SEATED LEG PRESS

5652 AND 5322

ASSEMBLY & PARTS

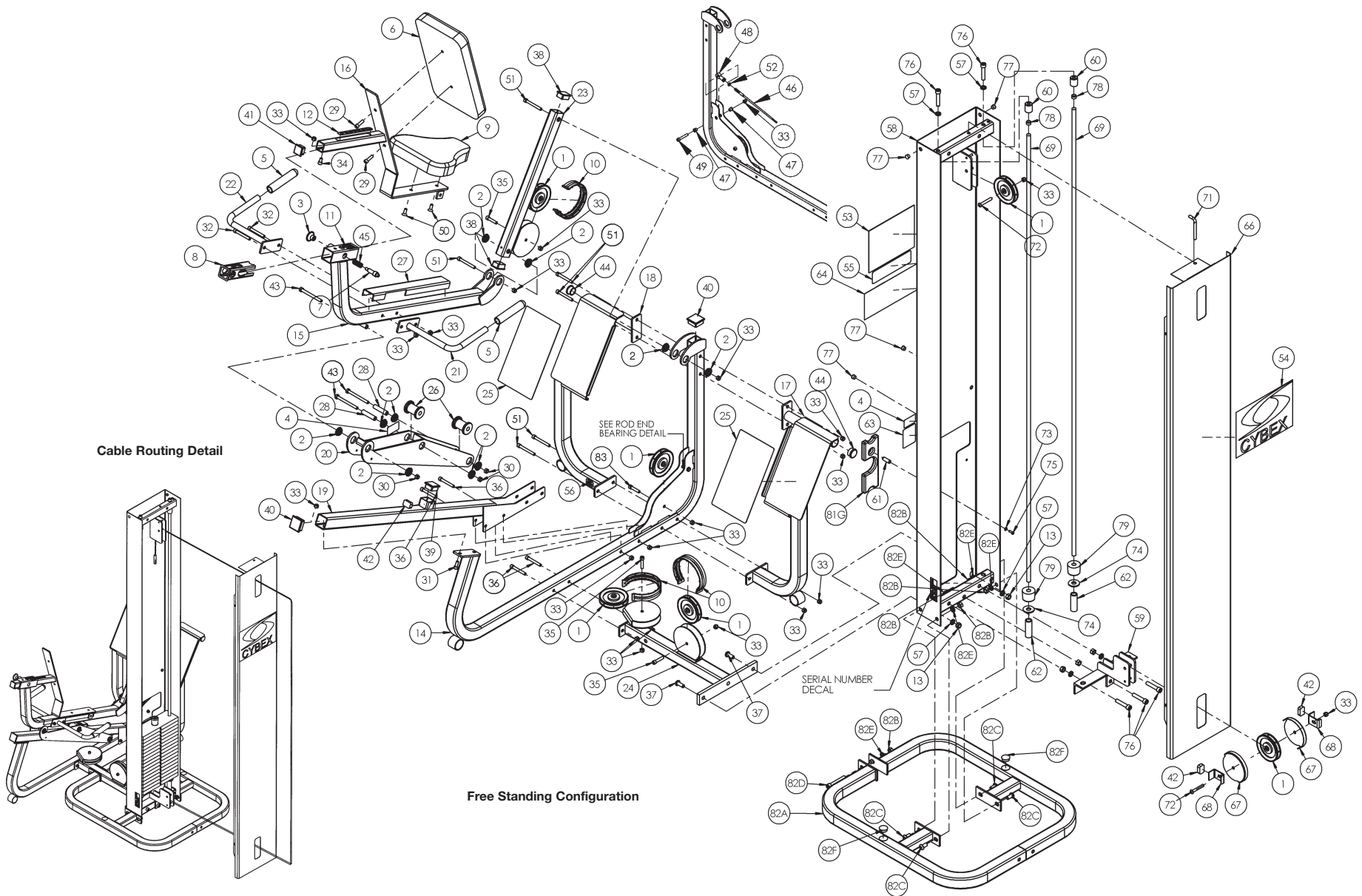


Modular Configuration

5652 - Modular Seated Leg Press & 5322 - Free Standing Seated Leg Press

ITEM	QTY	PART NO.	DESCRIPTION
1	6	08014	Pulley
2	10	FB030242	Bearing w/Snap ring 30mm OD x 10 mm
3	1	08172	Cybox Knob
4	2	4000Y316	Caution Decal
5	2	4005M100	Grip
6	1	4106S055-0	Back Cushion
7	1	4505-329	Detent Pin
8	1	4605-511	Plastic Insert 5.94
9	1	4800-026	Bottom Cushion
10	3	4800-570	Cable Guard
11	1	8500-025	Caution Decal
12	1	8520-313	Seat Adjusting Decal
13	7	HN784000	Hex Nut .50-13
14	1	8630-200	Frame
15	1	8630-201	Seat Frame
16	1	8630-202	Seat Tube
17	1	8630-203	Right Foot Plate
18	1	8630-204	Left Foot Plate
19	1	8630-205	Roller Tube
20	1	8630-206	Roller Plate
21	1	8630-207	Right Handle
22	1	8630-208	Left Handle
23	1	8630-209	Pivot Tube
24	1	5652-201	Connector
25	2	8630-321	Non-Slip
26	2	8630-322	Roller
27	1	8630-326	Plastic Seat Sleeve
28	2	8630-331	Spacer
29	2	JC702820	SHCS .375-16 x 1.25
30	3	8630-336	Nylon Locknut 10 mm
31	1	HC702816	SHCS .375-16 x .875
32	2	HC702834	SHCS .375-16 x 3.00
33	21	HN704901	Nylon Locknut .375-16
34	1	JC702814	SHCS .375-16 x .625
35	4	JC702824	SHCS .375-16 x 1.75
36	4	JC702832	SHCS .375-16 x 2.75
37	2	JC780420	BHSCS .50-13 x 1.25
38	2	PP090000	Plastic Insert 1.50 x 2.00 x 11 G
39	1	PP090200	Plastic Insert 1.75 Sq x 10-14 G
40	2	PP090210	Plastic Insert 2.00 Sq x 11 G
41	1	PP090211	Plastic Insert 1.50 Sq x 10-14 G
42	3	PU060201	Bumper
43	3	HC331271	HHCS 10 mm x 110 mm
44	2	PP080225	Plastic Insert 1.50 x 2.00 11 G
45	1	BS070201	Com Spring .56 x .66 1.50 L
46	1	5652-002	Cable
47	2	8630-340	Spacer
48	1	FB030213	Rod End Bearing
49	1	HC702828	SHCS .375-16 x 2.25

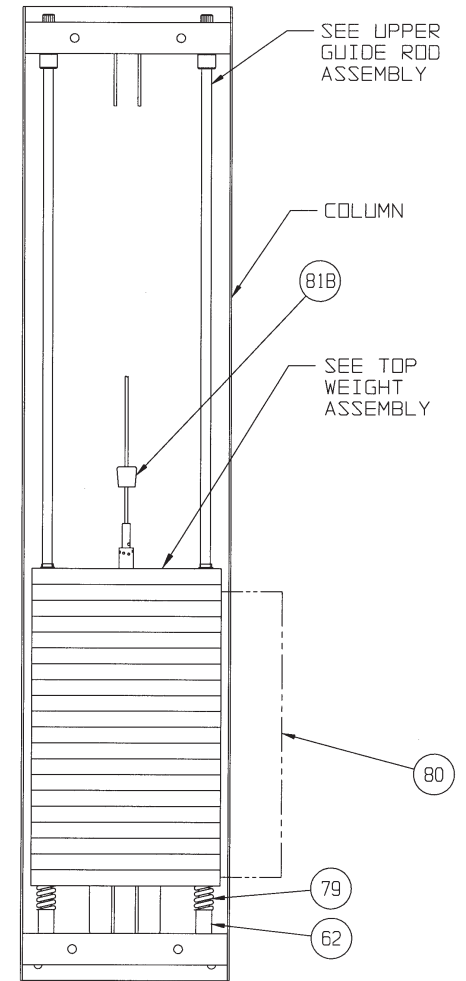
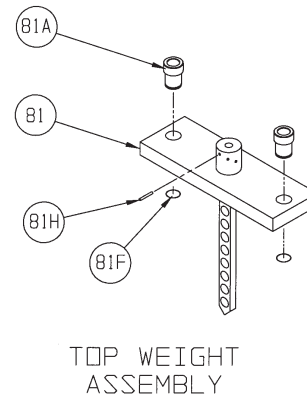
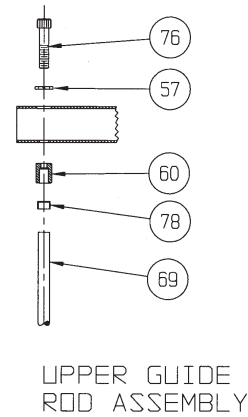
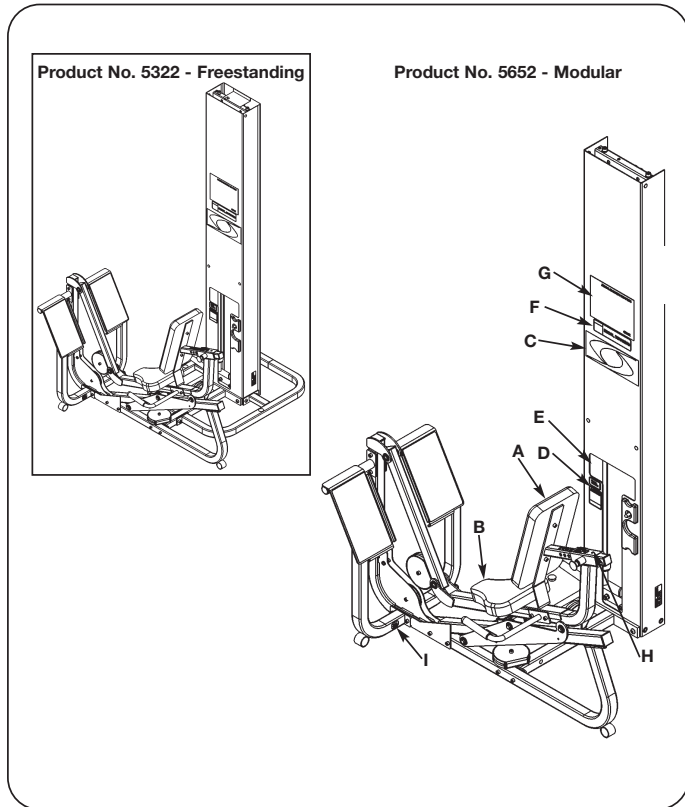
ITEM	QTY	PART NO.	DESCRIPTION
50	2	JC700917	FHSCS .375-16 x 1.00
51	4	JC702836	SHCS .375-16 x 3.25
52	1	JN714400	Jam Nut .375-24 UNF
53	1	5652-598	Placard Decal
54	1	3900-432	Cybox Decal 8.75 x 13
55	1	4800-381	Warning Decal
56	1	CM000211	Patent Pending Decal
57	6	JS388300	Split Lockwasher .50
58	1	01243	Column
59	1	01247	Pulley Mount
60	2	01755	Guide Rod Collet
61	1	02106	Half Weight Peg
62	2	02330	Spacer 3.00 Weight
63	1	02521	Caution Decal
64	1	3900-426	Cybox Decal 11.37
65	1	4800-515	Weight Plate Decal
66	1	5301-201	Cover
67	2	5301-310	Pulley Guard
68	2	5301-311	Stop
69	2	5310M035	Weight Rod .625 Dia. x 85.31
70	1	55652	Instruction Modular Leg Press (not shown)
71	1	5310P044	Weight Select Pin
72	2	HC700430	BHSCS .375-16 x 2.50
73	1	HS308300	Split Lockwasher .25
74	2	HS760106	Flat Washer 1.75 x .68 x .140
75	1	JC620415	BHSCS .25-20 x .75
76	5	JC782830	SHCS .50-13 x 2.50
77	8	PN660201	Plug
78	2	PP080204	Plastic Cap .625 ID x .68 OD
79	2	PR060005	Bumper
80	17	4005C062	Weight Stack 4 x 12
81	1	4700-027	Top Weight Assembly
81A	2	4700-019	Bearing Flance .62 x .92 x 1.50 L
81B	1	4700M005	Rubber Cap
81C	1	4800-256	Top Weight 18-4 x 12
81D	1	4700M004	Cable Connector
81E	1	5310P044	Weight Selector Pin
81F	2	BR030206	Retaining Ring
81G	1	C-ZA000200	Half Weight
81H	2	HP286819	Spiral Pin
82	1	5302-51	Modular Base Assembly
82A	1	5301-200	Base
82B	5	HN78400	Hex Nut .50-13
82C	4	JC780417	BHSCS .50-13 x 1.00
82D	1	JC782836	SHCS .50-13 x 3.25
82E	5	JS388300	Split Lockwasher .50
82F	2	PP080202	Plastic Insert 1.19 Dia. x 11 G
83	2	JC702838	SHCS .375-16 x 3.50
84	8	HS348300	Split Lockwasher .375



MODULAR SEATED LEG PRESS

5652 AND 5322

ASSEMBLY & PARTS



DESCRIPTION	PART NO.	DESCRIPTION	PART NO.
A. Back Cushion.....	4106S055-0	E. Caution Decal.....	4000Y316
B. Seat Cushion.....	4800-026	F. Warning Decal.....	4800-381
C. Cybex Decal Wht/Wht...	3900-378	G. Placard Decal.....	5652-598
C. Cybex Decal Blk/Plm....	3900-391	H. Adjustment Decal.....	8520-313
C. Cybex Decal Wht/Plm...	3900-419	I. Serial Number Decal....	CM000202
D. Caution Decal.....	02521	J. Grip.....	4005M100

